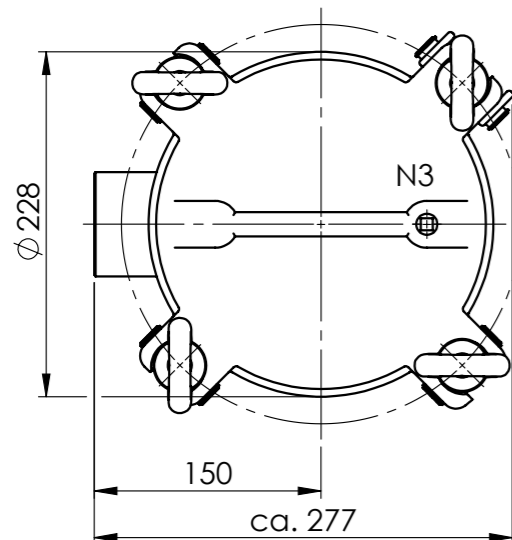



### NOZZLE INDEX

Connection	Size	Type	DIN
N1	Rp 2	Inlet	DIN 2999
N2	Rp 2	Outlet	DIN 2999
N3	Rp 1/4	Manometer / Vent	DIN 2999

### SPECIFICATION

Max. allow. pressure	10 bar
Test pressure	14,3 bar
Max. allow. temperature	-10/+80°C
Volume	27 l
Material housing	AISI 304
Material main gasket	O-Ring NBR
Material support gasket	Profile gasket NBR
Material bolts	Stainless steel
Weight	23 kg



Date	05.02.2014	Name	Leekes	Type	ALBF2-10/G50-A2
				Article-No.	5184540500
Am Weinkastell 14 55270 Klein-Winternheim				Associated drawing:	10-1379 Rev.0