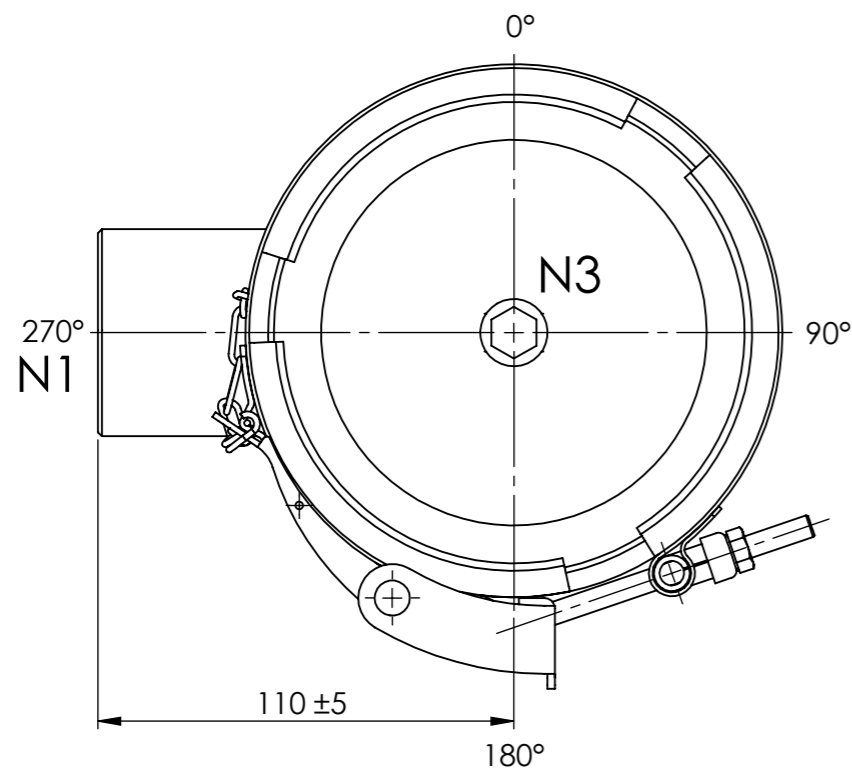



NOZZLE INDEX

Connection	Size	Type	DIN
N1	Rp 1 1/2	Inlet	DIN 2999
N2	Rp 1 1/2	Outlet	DIN 2999
N3	Rp 1/4	Vent	DIN 2999

SPECIFICATION

Max. allo. pressure	10 bar
Test pressure	14,3 bar
Max. allow. temperature	-10/+90°C
Volume	4,5 l
Material housing	AISI 304
Material gasket	O-ring NBR
Material closure	Stainless Steel
Weight	4,3 kg



Date	14.08.2014	Name	Brixius	Type	ALSI4-10/G40-A2
				Articel-No.	
Am Weinkastell 14 55270 Klein-Winternheim				acc. drawing.:	replacement for: