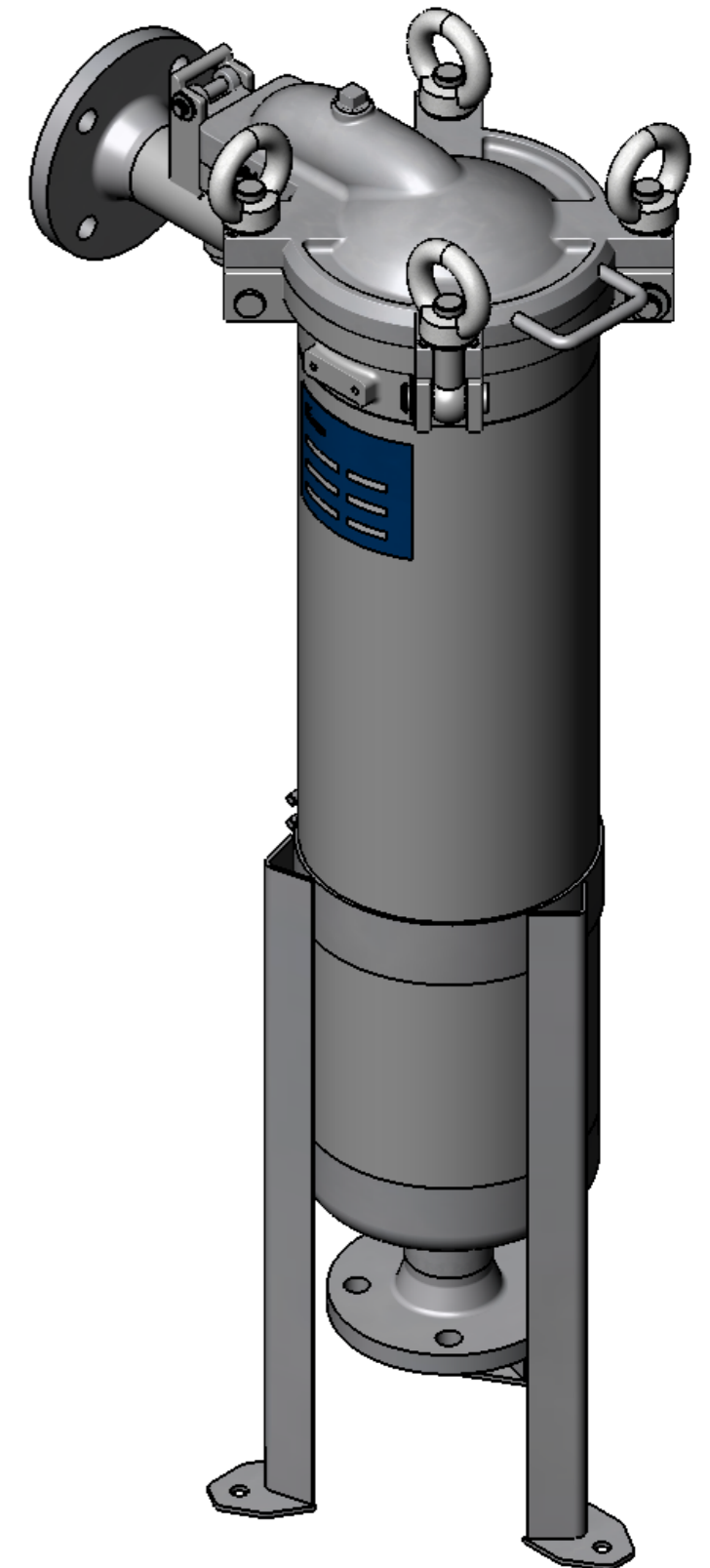



NOZZLE INDEX

Connection	Size	Type	DIN
N1	DN 50 PN16	Inlet	DIN 2633, C
N2	DN 50 PN16	Outlet	DIN 2633, C
N3	Rp 1/2	Vent	DIN 2999
N4	Rp 1/2	Drain	DIN 2999
N5	Rp 1/2	Differential Pressure Measurement (+)	DIN 2986
N6	Rp 1/4	Differential Pressure Measurement (-)	DIN 2999

SPECIFICATION

Max. zul. Druck	10 bar
Prüfdruck	14,3 bar
Max. zul. Temperatur	-10/+80°C
Inhalt	28 l
Werkstoff Gehäuse	AISI 304
Werkstoff Dichtung	O-Ring FPM
Werkstoff Schrauben	Stainless Steel
Gewicht	42 kg



Date	06.08.2013	Name	Leekes	Type	BFOTS2-10/F50-A2
				Article-No.	
				Associated Drawing: 10-1359 Rev.0	