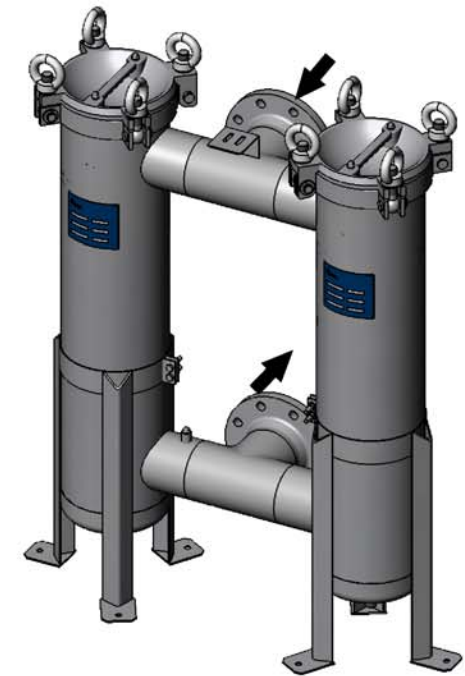


## NOZZLE INDEX

Connection	Size	Type	DIN
N1	DN 100 PN16	Inlet	DIN 2633, C
N2	DN 100 PN16	Outlet	DIN 2633, C
N3	Rp 1/4	Vent	DIN 2999
N4	Rp 1/4	Pressure Gauge	DIN 2999
N5	Rp 1/2	Drain	DIN 2999
N6	Rp 1/4	Differential Pressure Connection	DIN 2999
N7	Rp 1/4	Differential Pressure Connection	DIN 2999

## SPECIFICATION

Max. allow. Pressure	10 bar
Test Pressure	14,3 bar
Max. allow. Temp.	-10/+80°C
Volume	71 l
Material Housing	AISI 304
Material Gasket	O-Ring NBR (Buna)
Material Bolts	C-Steel (galvanized)
Weight	62 kg



		Scale	1:5
		Material	
Date	Name	2-ALGS2-10/F100-A2	
07.05.2008	Brixius		
		Article-No.	5187442700
		A-1013-2	

